

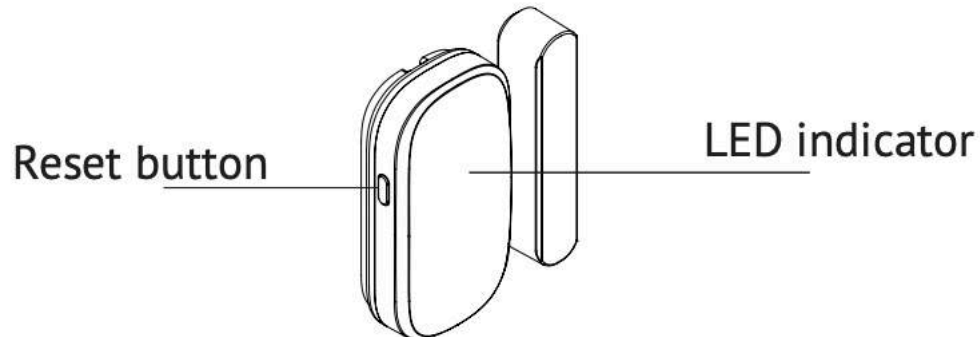


Door/Window Sensor Quick Start Guide

Introduction

The Door and Window Sensor detects if your door or window is open or closed. It allows you to receive notifications remotely from the mobile app and can be used to trigger alarm.

Get to know your device



Reset Button (a pin key tool is required)

Press and hold the reset button for ten seconds until the LED indicator flashes green three times to reset to default factory setting.

LED Indicator

LED Status	What it means
Red LED flashes	Device has not joined a network
Green LED flashes three times	Joined a network or return to factory setting
Red LED Flashes once	Alarm is triggered

Get started

To get started you will need:

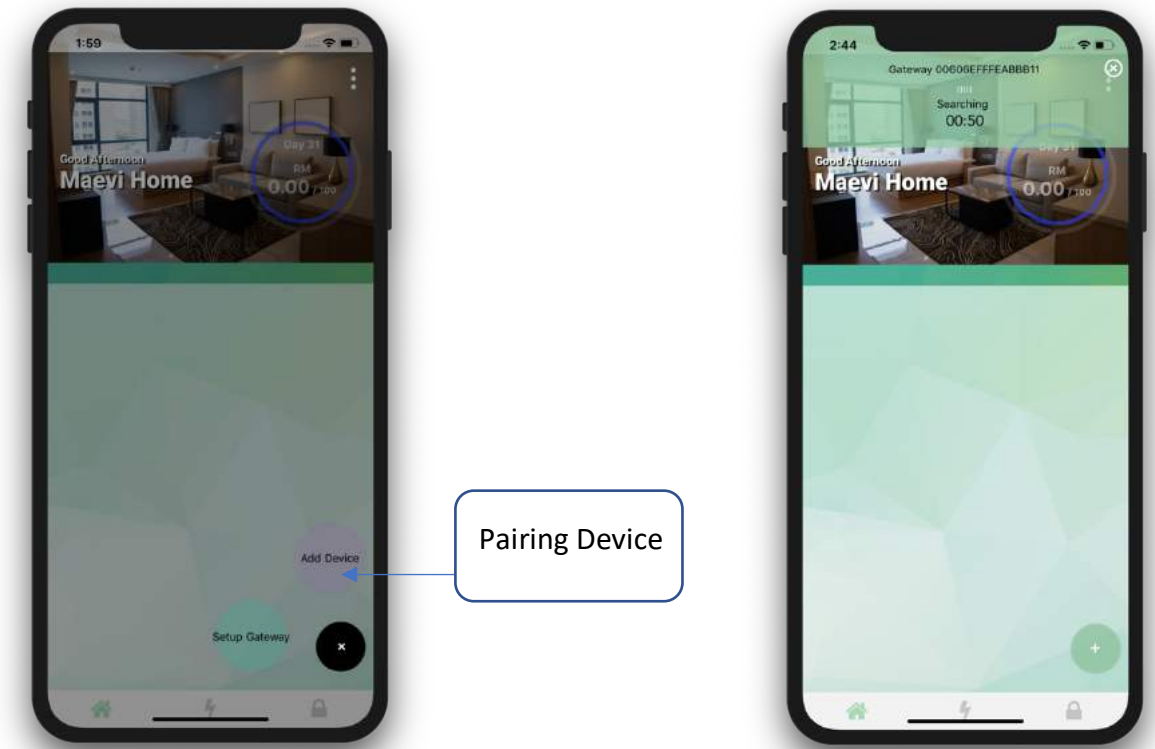
- A smart gateway
- A Door/Window sensor
- The mobile app

Then follow the steps below:

1. Remove the pull tab to power on the device.

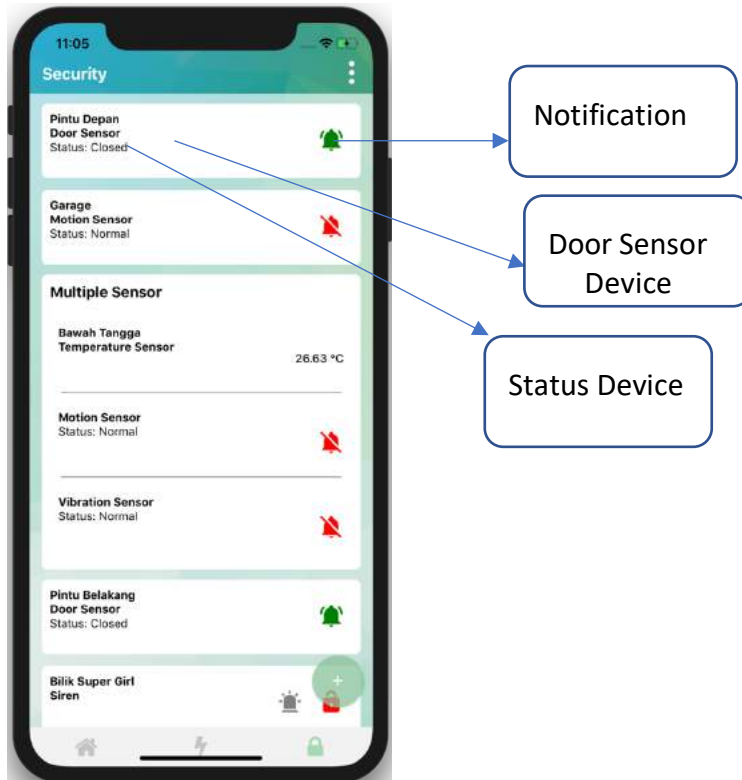
Tip: If there are no batteries inside, please install 2 x CR2450 batteries.

2. Open Maevi (Maevi Smart Home) app and go to “Security” tab. Tap the plus circle button at the below right of the screen to pair the Door/Window sensor with the Gateway.

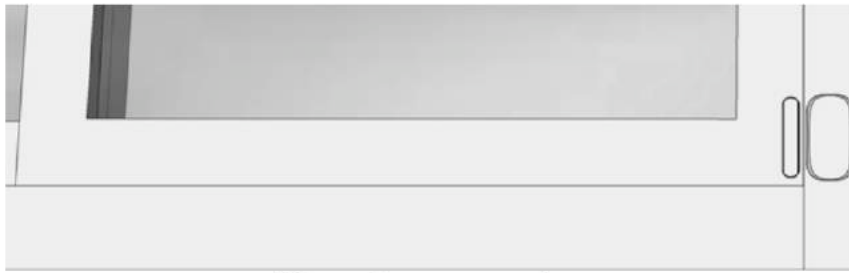


Tip: for this step, you could also press the “Z” button of the gateway for 2 seconds until the LED indicator turns solid blue.

3. Use a pin key tool to press and hold the reset button for 2 seconds until the LED flashes. The LED will turn solid for a while when pairing is successful, then go to the app to check if the device is added successfully to the Security Tab.



4. Mount the Door/Window sensor to a door or window frame.
Remove the double-sided tape on the back side.

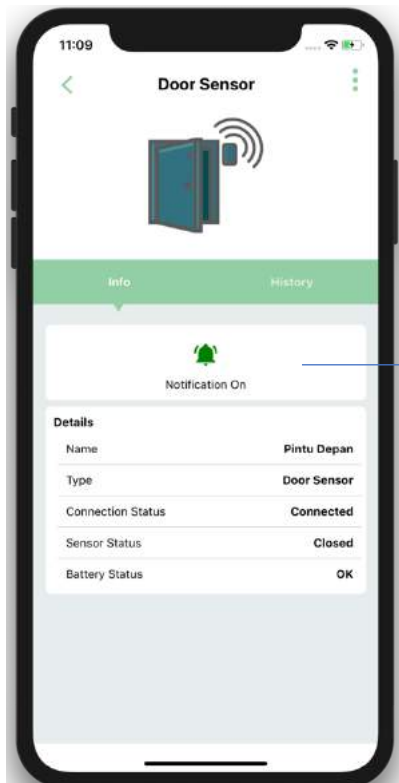


Mounting example

Then place both the detector main body unit and the magnet unit at a suitable position as shown below then press into place firmly. Please ensure all surfaces are clean, dry, and flat and the temperature is over 10°C before attempting to place the devices, or the adhesive will not be fully effective.

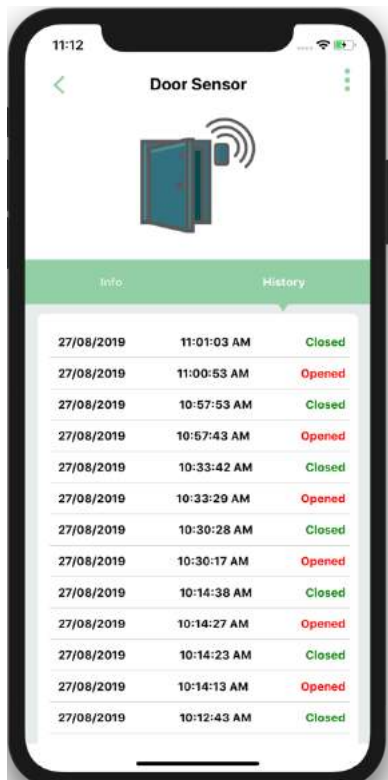
*Note: the space between the detector main body and the magnet part must be less than 15mm while the door or window is closed.
You are now able to monitor your door or window.*

Feature of Apps



Notification
On/Off

Details of
device



History of
Device