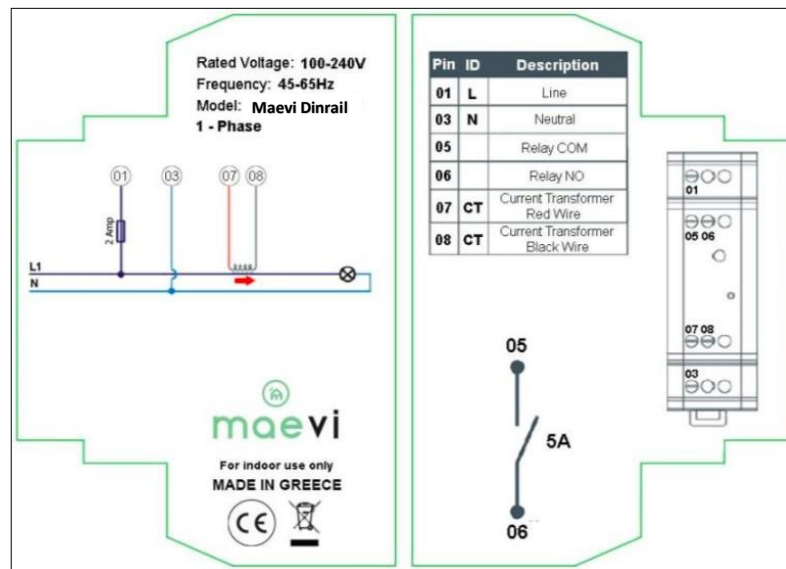




**Energy Meter - Single Phase**  
Installation and Configuration

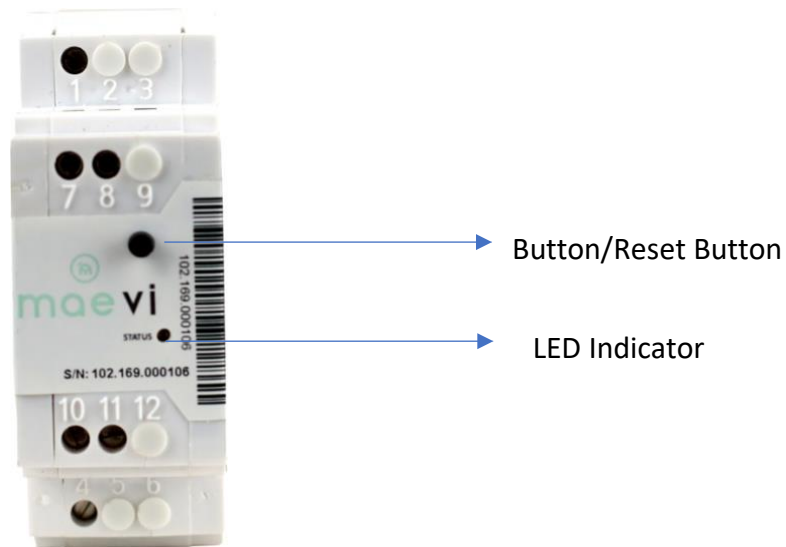
## Single Phase Energy Meter Specifications



## Electrical Contacts

Connector	Id	Description
1	L	Line
3	N	Neutral
5	-	Relay COM
6	-	Relay NO
7	CT	Current Transformers Red Wire
8	CT	Current Transformers Black Wire
L	LED	Network Status/relay LED
B	Button/Reset	Machine interface Button

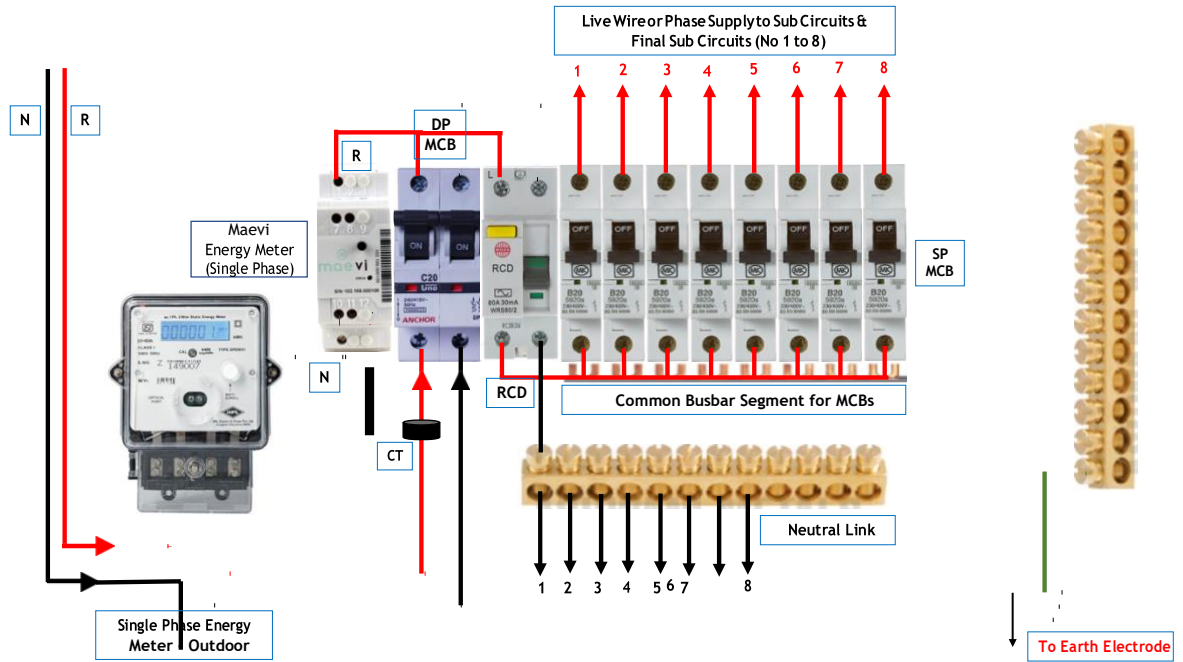
Note:  In Used for Installation  
 Not Used for Installation



### LED Indicators

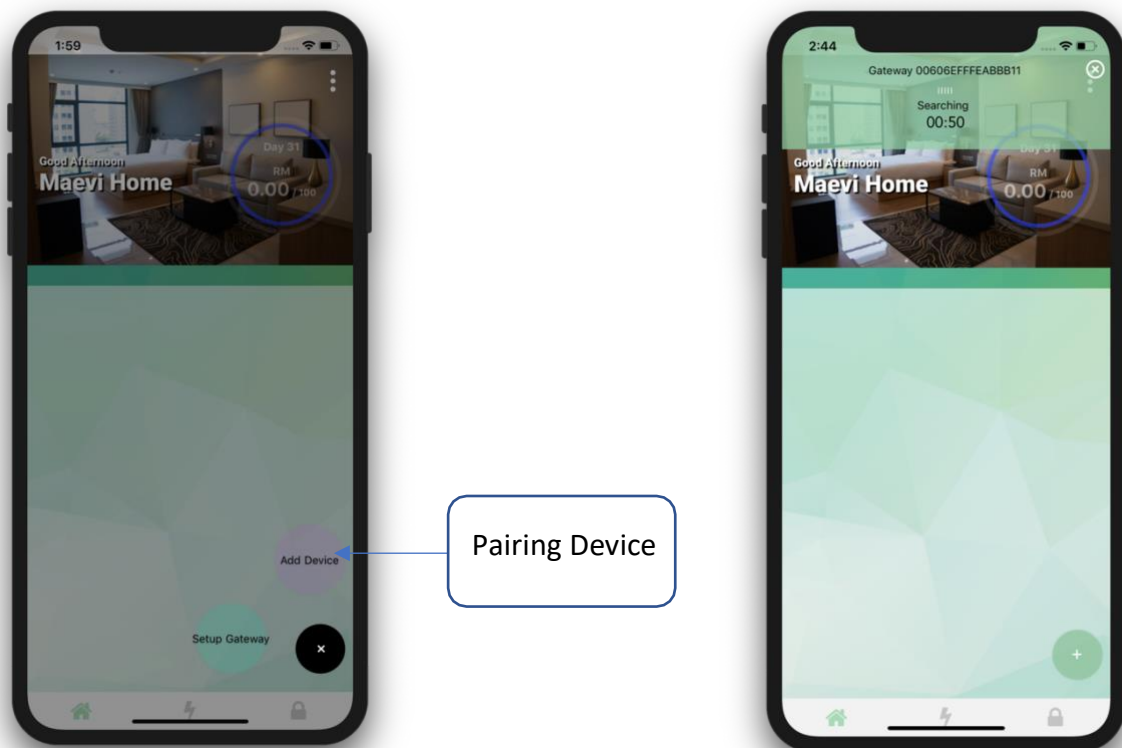
LED Status	What it Means
LED On	Normal operation, network associated, collecting measurements, Relay Switch On
LED Off	Normal operation, network associated, collecting measurements, Relay Switch Off
LED Slow Blinking	Ideal state, not associated with a network, waits for Man/Machine interaction
LED Fast Blinking	Beacon state, not associated with a network, in "ready to join" mode

### Wiring Diagram for Single Phase Energy Meter



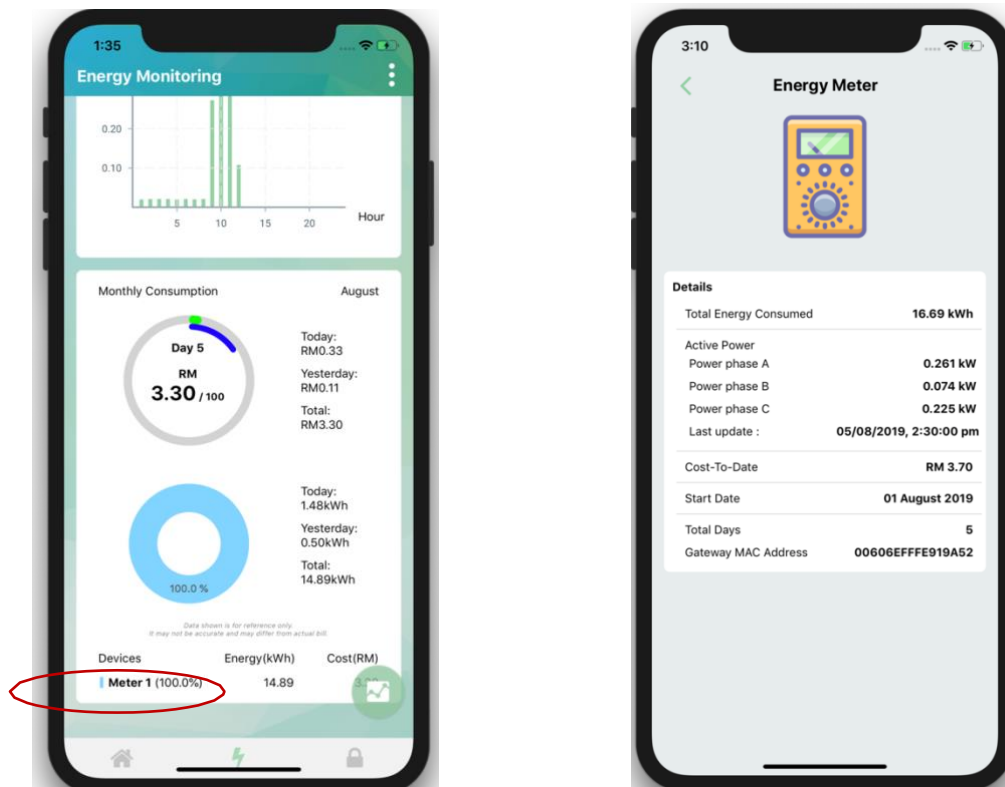
## Configuration Energy Meter

1. Open Maevi (Maevi Smart Home) app and go to “Energy Monitoring” tab. At this state no Energy Meter is detected.
2. Install your Energy Meter to the Power line at the distribution board.  
(Refer diagrams above)
3. Press the button at the energy meter 1 times
4. Reopen Maevi (Maevi Smart Home) App and go to “Home Automation” tab. Press the plus circle button at the below right of the screen to start pair the Energy Meter with the Gateway.



*Tip: You can also press and hold the “Z” button on the gateway for 2 seconds until LED indicator turns steady blue to permit joining device. Single press “Reset” button on the Energy Meter to pair with the Gateway.*

5. When energy meter successful paired with gateway the energy meter LED will become solid green (no blinking).
6. To check whether the energy meter is correctly installed, select “Meter 1” under “Monthly Consumption division” and observe the value of energy for each phase.



*Note: If any of the value is negative, switch the polarity of the respective clamp. Make sure the arrow is always directing towards the load. (Do not proceed if you do not know what you are doing and get help from a qualified electrician instead).*

### Reset Energy Meter

- Reset Energy Meter
  - a. Hold the reset button until LED blinks 3 times.
  - b. After reset, LED energy meter will continues blinking slowly.
- How to reset energy counter (flush memory)
  - a. Repeat above step