

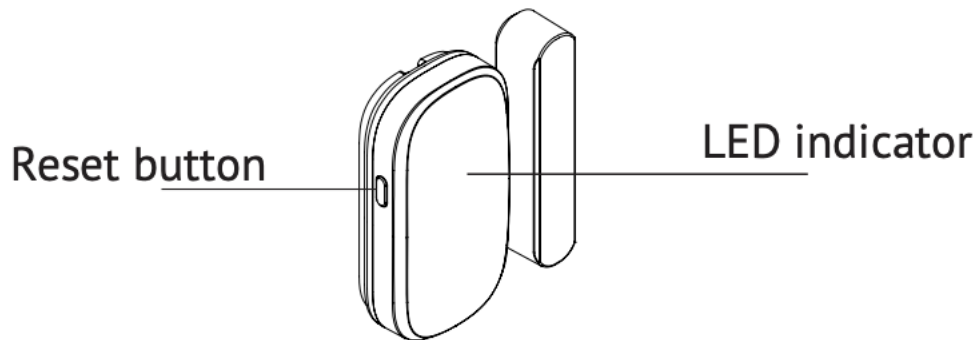


Maevi Door/Window Sensor
Quick Start Guide

Introduction

Maevi Door/Window Sensor detects if your door or window is open or closed. It allows you to receive notifications remotely from the Maevi app and can be used to trigger alarm.

Get to know your device



Button

Reset Button	<ul style="list-style-type: none"> Return the device to default factory settings
--------------	---

LED Indicator

LED Status	What it means
Red LED flashes	Device has not joined a network
Green LED flashes three times	Joined a network or return to factory setting
Red LED Flashes once	Alarm is triggered

Get Started

To get started, you will need :

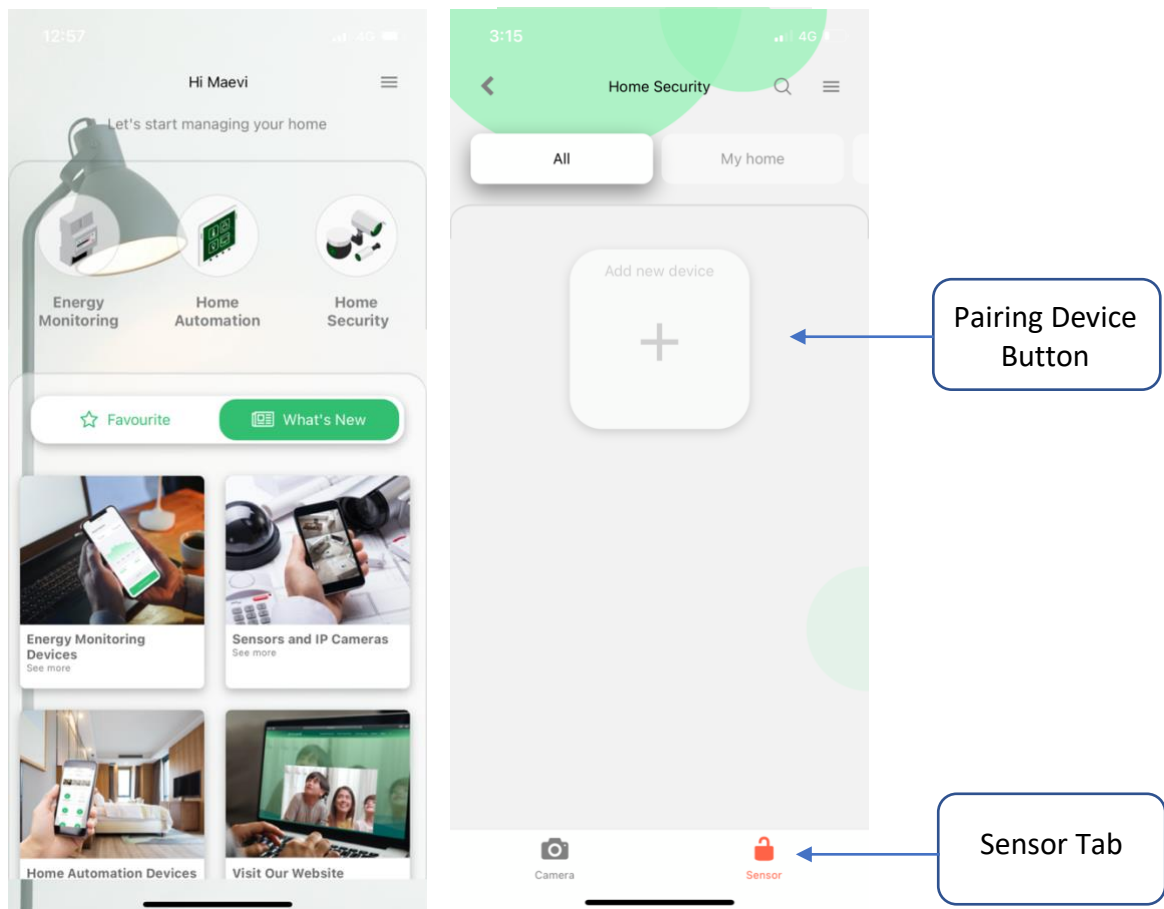
- Maevi Gateway
- Maevi Door/Window Sensor
- Maevi Mobile App
(Available for download on Google Play Store and Apple App Store)

Then follow the steps below:

1. Remove the pull tab to power on the device.

Tip: If there are no batteries inside, please install 2 x CR2450 batteries.

2. Open Maevi App and go to “Home Security” tab.
3. Select “Sensor” tab.
4. Select “Add New Device” button to pair the Door/Window Sensor with the Gateway.



Tips: You can also press and hold the “Z” button on the Gateway for two seconds until the LED indicator turns steady blue.

5. Select Gateway, now the Gateway will start searching for new devices to be paired with.
6. Immediately, during the searching process, press and hold the reset button for 2 seconds until the LED flashes.
7. The LED will turn solid for a while when pairing is successful. The Door/Window Sensor should now appear in the app as Door/Window Sensor. If not, refresh the “Home Security” page by pull it down and release.
8. Click the Door/Window Sensor to see the individual info page.
9. Place the Motion Sensor at your desired place. (**Refer to Install Door/Window Sensor**)

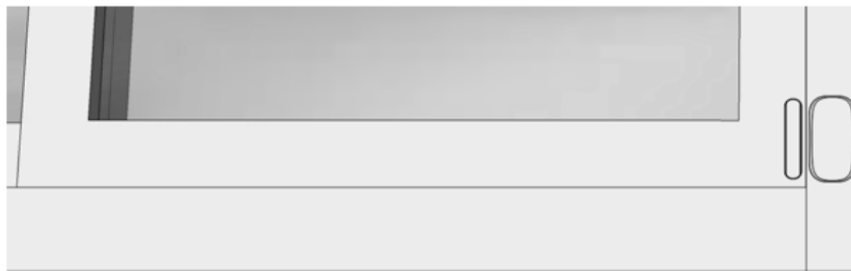
Install Door/Window Sensor

Note: the space between the detector main body and the magnet part must be less than 15mm while the door or window is closed.

Mount the Door/Window Sensor to a door or window frame.

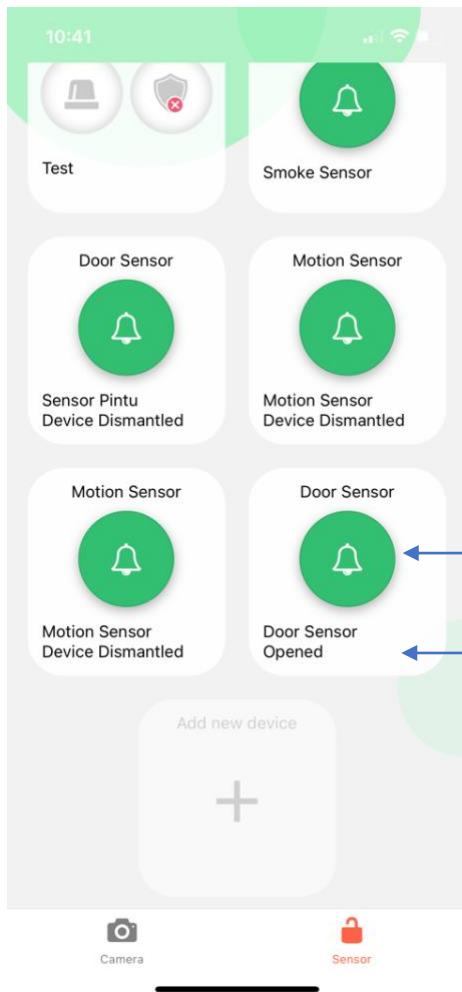
Steps:

1. Please ensure all surfaces are clean, dry, and flat and the temperature is over 10°C before attempting to place the devices, or the adhesive will not be fully effective.
2. Remove the double-sided tape on the back side.
3. Then place both the detector main body unit and the magnet unit at a suitable position as shown below then press into place firmly.
4. Your door/window sensor is now ready to use.



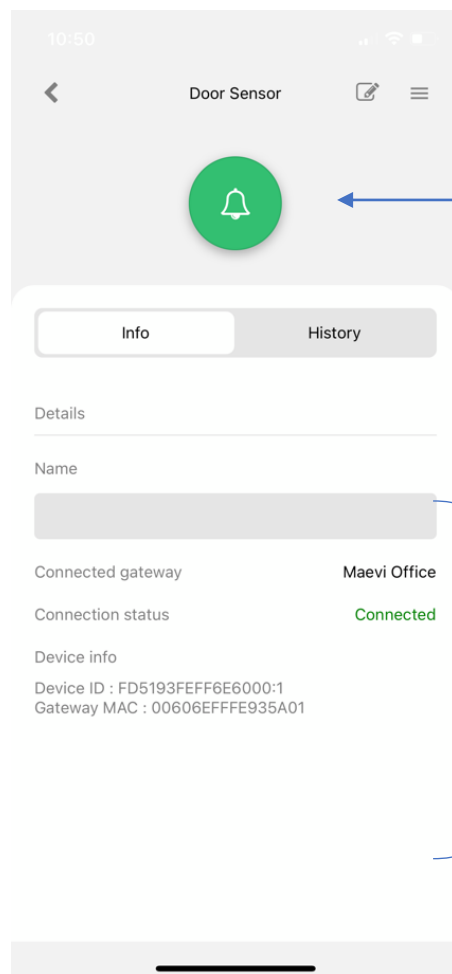
Mounting example

Features



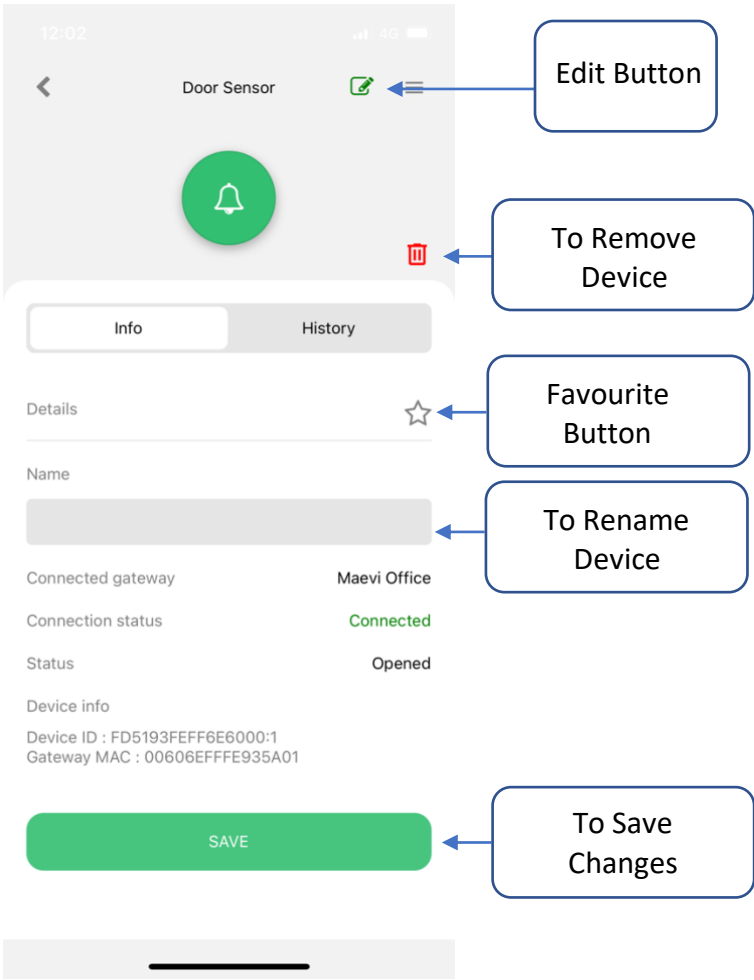
Notification ON/OFF

Status Device

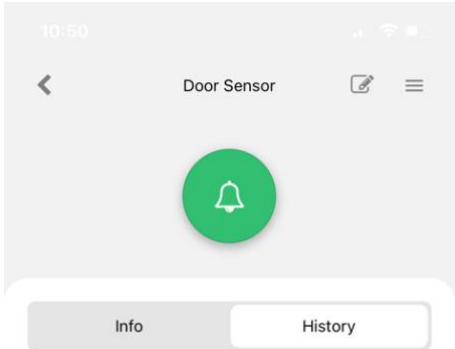


Notification ON/OFF

Device Status/ Info



Info Page

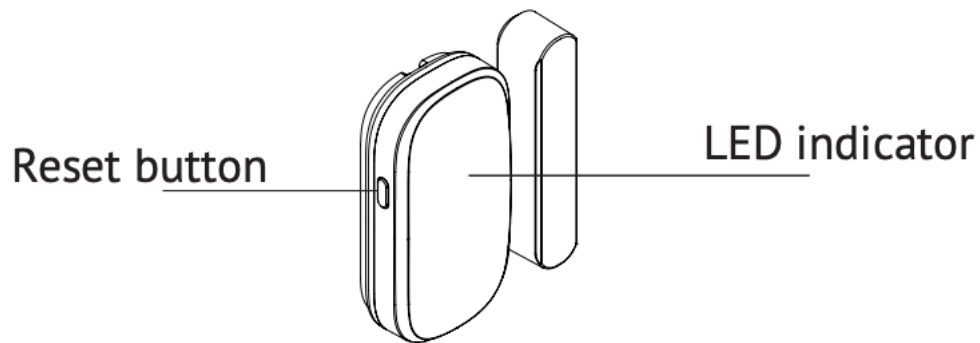


Activity Logged

13/03/2021 09:13:46am	Closed
13/03/2021 09:13:44am	Opened
13/03/2021 09:13:42am	Closed
13/03/2021 09:13:36am	Opened
13/03/2021 09:13:32am	Closed
13/03/2021 09:13:29am	Opened
13/03/2021 09:12:32am	Closed
13/03/2021 09:12:21am	Opened
13/03/2021 09:12:15am	Closed
13/03/2021 09:12:15am	Opened
12/03/2021 04:36:13pm	Closed
12/03/2021 04:36:11pm	Opened
12/03/2021 04:36:10pm	Closed

History Page

Reset Door/Window Sensor



Steps:

1. Press and hold the reset button for ten seconds until the LED indicator flashes green three times.
2. Now, Door/Window Sensor is returned to the default factory setting.