



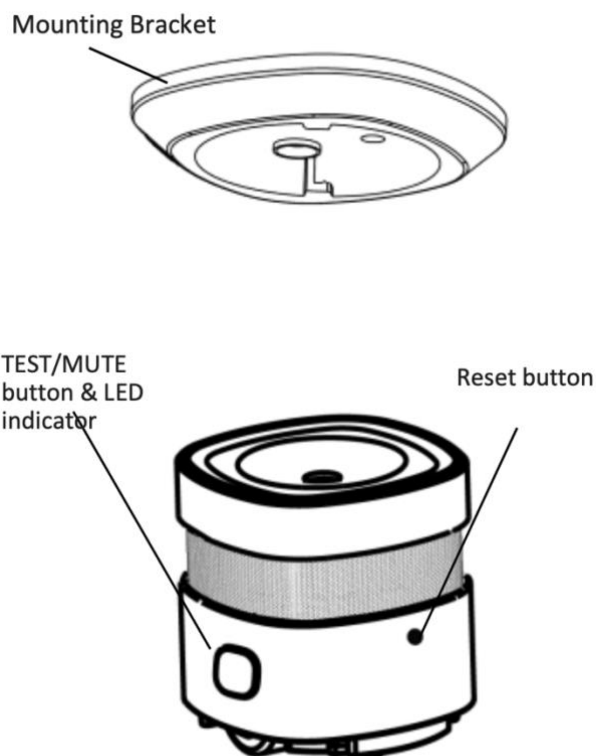
Maevi Smoke Sensor
Quick Start Guide

Introduction

Maevi Smoke Sensor is integrated with an ultra-low-power Zigbee wireless module. It's a warning device that allows you to detect the presence of smoke in real-time.

Note: It cannot sense gas, heat, flame and cannot prevent or put out fire.

Get to know your device



Buttons

Test/mute button	<ul style="list-style-type: none"> • Test the device to confirm it is able to work
Reset button	<ul style="list-style-type: none"> • Set the device to join the ZigBee network • Reset this device to factory default settings

LED Indicator

LED Status	What It means	Alarm Sound
Red LED flashes quickly	<ol style="list-style-type: none">1. Testing2. Alarm	Rapid beeps
Red LED flashes every 40 seconds	<ol style="list-style-type: none">1. Low Power mode2. Fault	Beep every 40 seconds
Green LED flashes	The device is prepared to join a network	No
Green LED flashes six times	The device leaves the network	No

Get Started

To get started, you will need :

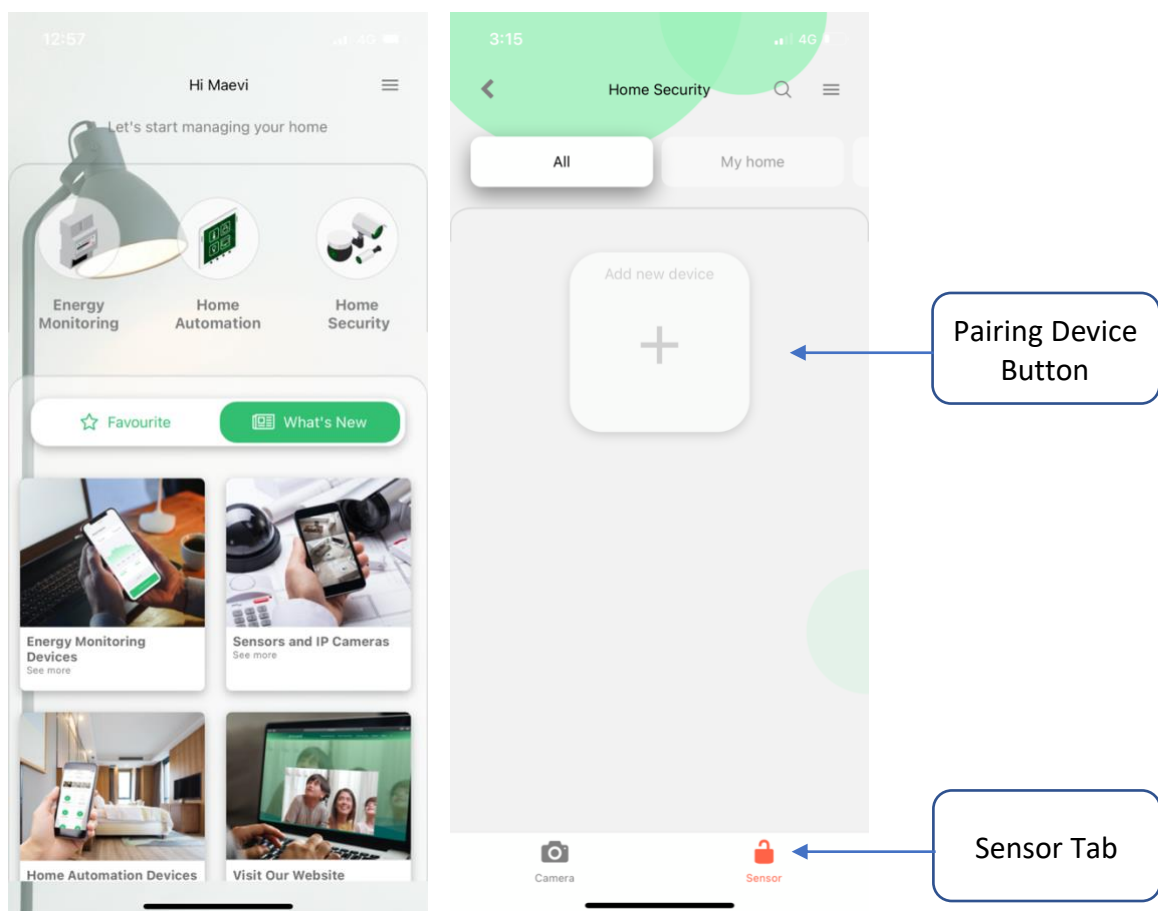
- Maevi Gateway
- Maevi Smoke Sensor
- Maevi Mobile App
(Available for download on Google Play Store and Apple App Store)

Then follow the steps below:

1. Remove the pull tab to power on the device.

Tips: If there is no battery inside, please insert a CR123A battery.

2. Open Maevi App and go to “Home Security” tab.
3. Select “Sensor” tab.
4. Select “Add New Device” button to pair the Smoke Sensor with the Gateway.



Tips: You can also press and hold the “Z” button on the Gateway for two seconds until the LED indicator turns steady blue.

5. Select Gateway, now the Gateway will start searching for new devices to be paired with.
6. The LED will turn solid for a while when pairing is successful. The Smoke Sensor should now appear in the app as Smoke Sensor. If not, refresh the “Home Security” page by pull it down and release.
7. Click the Smoke Sensor to see the individual info page.
8. Place the Smoke Sensor at your desired place. (**Refer to Install Smoke Sensor**)

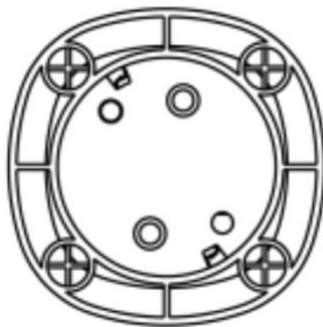
Install Smoke Sensor

Step:

1. The bracket should be affixed using screw or double-sided tape. Please ensure the surface is clean, dry, flat and the temperature is over 10C before attempting to place the device, else the adhesive will not be fully effective.



2. If using screws, attach the bracket to the intended location using the screws provided.

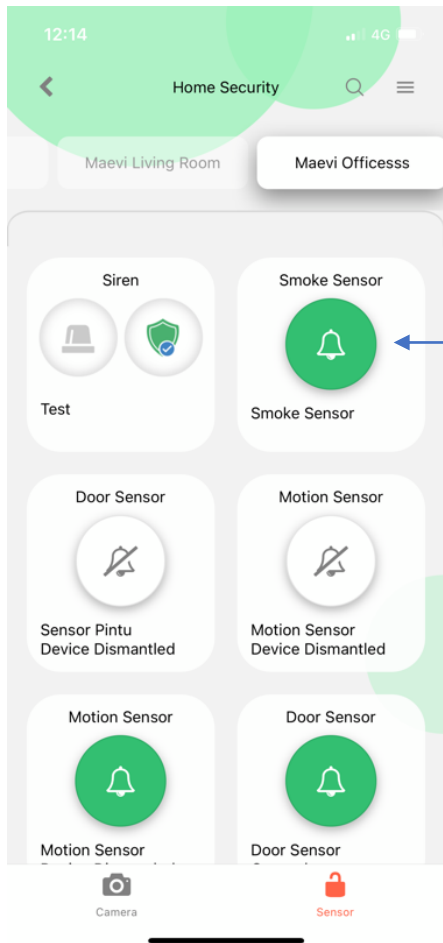


3. Then rotate the Smoke Detector main body onto the bracket.

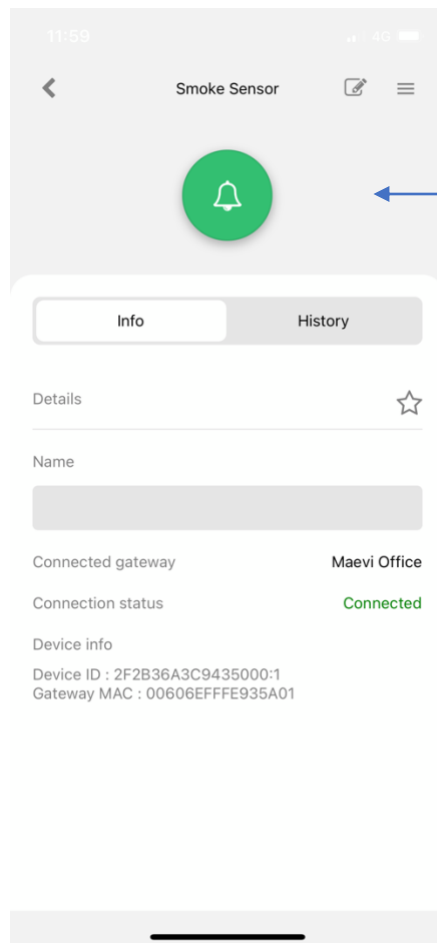


4. Your smoke sensor is now ready to use.

Features

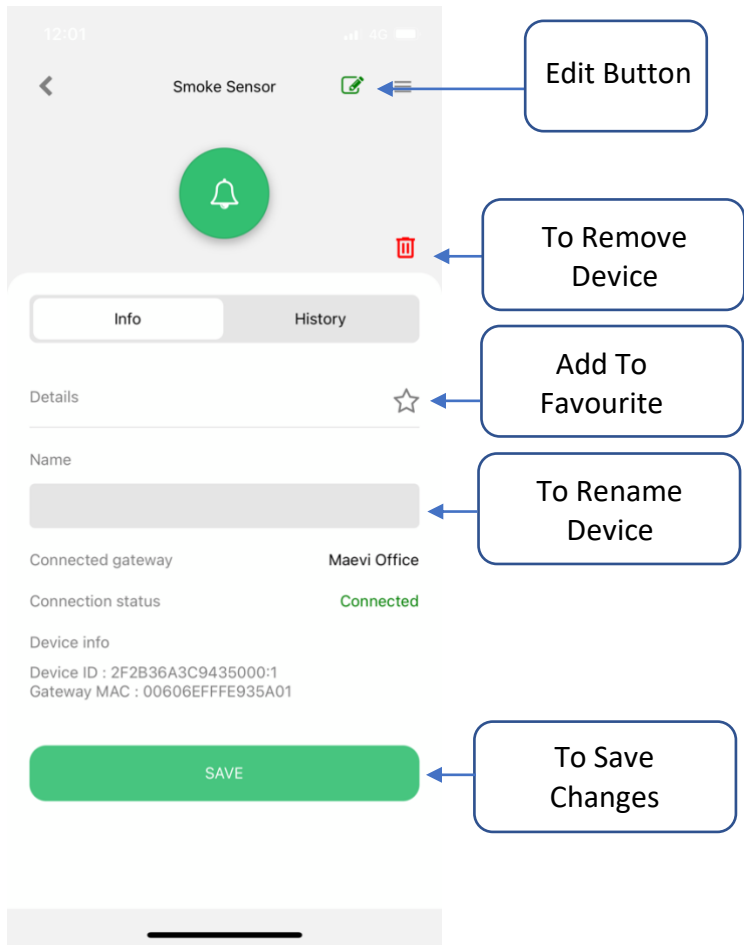


Notification ON/OFF

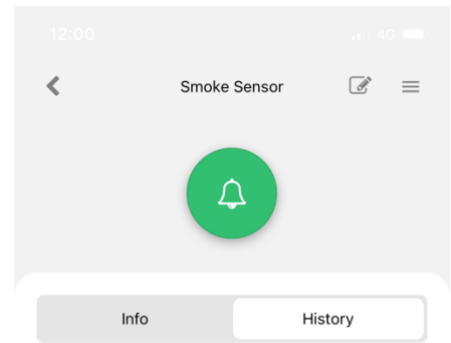


Notification ON/OFF

Device Status/ Info



Info Page

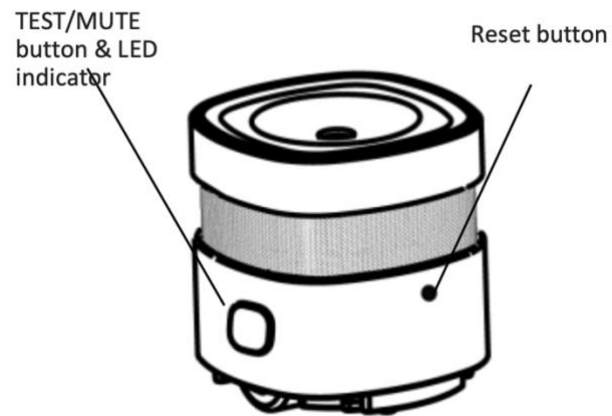


Activity Log



History Page

Reset Smoke Sensor



Steps:

1. Use a pin key tool to press and hold the reset button for 5 seconds until the LED flashes green colour 6 times.
2. Now, Smoke Sensor is returned to the default factory setting.